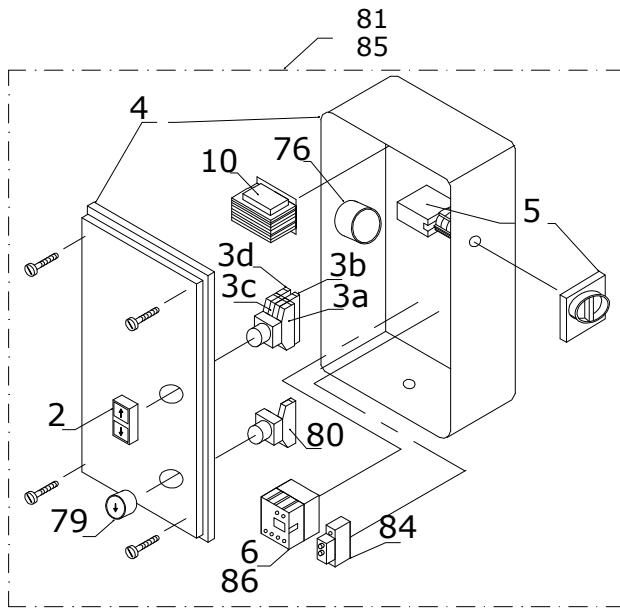


Attention: universal fittings like bolts and screws are not shown in the drawing

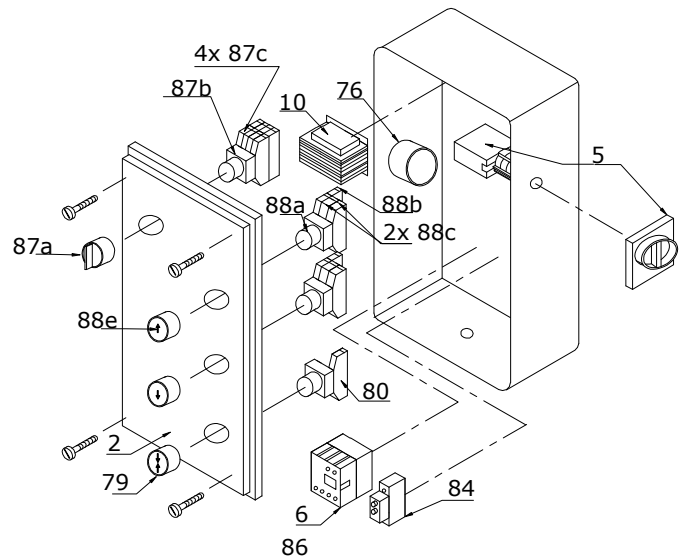


POS	ORD. NR. BEST.NR AL3044 AL3044/MOT AL3044/T	ORD. NR. BEST.NR AL4044 AL4044/T AL4044/WF	ORD. NR. BEST.NR AL4044/VANS AL4044/MOT AL4044/VANS/T AL4044/VS AL4044/V-WF AL4044/VT-WF	ORD.NR. BEST.NR AL5044 AL5044/T	DESCRIPTION	BESCHREIBUNG	OMSCHRIJVING
1.	OC30-111	OC30-111	OC30-111	OC30-111	MOTOR	MOTOR	ELECTROMOTOR
7.	OC29-415	OC29-415	OC29-415	OC40-132M	HYDRAULIC GROUP	HYDRAULIC GRUPPE	HYDR.GROEP AP 100/5
8.	OC14-038N	OC14-038N	OC14-038N	OC14-038N	SOLENOID VALVE AXIS old type black solenoid	MAGNETVENTIL Alte model schwarz Spule	MAGNEETVENTIEL (95/..) oud type zwarte spoel
8.	OC14-030	OC14-030	OC14-030	OC14-030	SOLENOID VALVE AXIS new type red solenoid	MAGNETVENTIL Alte model rote Spule	MAGNEETVENTIEL (95/..) nieuw type rode spoel
9.	OC14-037CE	OC14-037CE	OC14-037CE	OC14-037CE	SOLENOID VALVE COIL 24V old type black solenoid	MAGNETSPULE Alte model schwarz Spule	SPOEL (MAGNEETVENTIEL) oud type zwarte spoel
9.	OC14-029	OC14-029	OC14-029	OC14-029	SOLENOID VALVE COIL 24V new type red solenoid	MAGNETSPULE Alte model rote Spule	SPOEL (MAGNEETVENTIEL) nieuw type rode spoel
11a.	OC14-065	OC14-065	OC14-065	OC14-065	SOLENOID VALVE COIL CON	MAGNETSPULE (pneumatisch)	AANSLUITBLOK (SPOEL/SOLENOID)
11b.	OC42-602	OC42-602	OC42-602	OC42-602	SOLENOID VALVE COIL CON + VALVE complete	MAGNETVENTIL INCL. SPULE (pneumatisch)	AANSLUITBLOK +VENTIEL (SPOEL/SOLENOID) compleet
12.	OC29-102	OC30-102	OC34-102	OC34-102	SINGLE POST	SAULE	NIET-MOTORKOLOM (KAAL)
13.	OC29-101	OC30-101	OC34-101	OC34-101	MOTOR POST	SAULE BEDIENSAULE	MOTORKOLOM (KAAL)
15.	3044/SK	4044/SK	4044V/SK-N	5044/SK	STEEL WIRE (SET=2)	SEIL	SET(2)STAALKABELS
16.	OC29-109C	OC32-109	OC34-109	OC34-109	SAFETY BAR	SICHERUNG STANGE	VANGSTANG
17.	OC29-125	OC32-140	OC34-140	OC34-140	STAIRS	KLINKELEISTE	VERGRENDELSTANG
18.	OC29-235	OC30-228	OC30-228	OC30-228	FULL CROSSPIN PULLEY	SEILROLLE	KABELLOOPWIEL
19.	OC30-227	OC30-227	OC30-227	OC30-227	PNEUM CYLINDER PROTECTION	ABDECKUNG (pneum. zil.)	AFDEKKAP (PNEUM.CIL.)
20.	OC30-231	OC30-231	OC30-231	OC30-231	COMPLETE DOUBLE NYLON GUIDE	GLEITSCHUH	GELEIDESTUK NYLON DUBBEL
21.	OC15-174	OC15-174	OC15-174	OC15-174	SAFETY MICROSWITCH	MIKROSCHALTER	MICROSCHAKELAAR
22a.	OC29-200ND	-	-	-	MOTOR CROSSPIN old type	TRAVERSE HINTEN ALT	DWARSTRAVERSE (MOTORZIJD) oud
22a.	OC29-260	OC32-200	OC34-200	OC34-202	MOTOR CROSSPIN new type	TRAVERSE HINTEN ALT	DWARSTRAVERSE (MOTORZIJD) nieuw
22b.	OC29-200NI	-	-	-	CROSSPIN IN OPPOSITE SIDE old type	TRAVERSE VORNE NEU	DWARSTRAVERSE (NIET.MOT.) oud
22b.	OC29-261	OC32-201	OC34-201	OC34-203	CROSSPIN IN OPPOSITE SIDE new type	TRAVERSE VORNE NEU	DWARSTRAVERSE (NIET.MOT.) nieuw
23.	OC32-213	OC32-213	OC32-213	OC32-213	COMP PNEUM CYLINDER	PNEUMATISCHE ENTRIEGELN ZILINDER	PNEUM.ONTGR.CILINDER
24.	OC30-232	OC30-232	OC30-232	OC30-232	SINGLE NYLON GUIDE	GLEITSCHUH	GELEIDESTUK NYLON ENKEL
25.	OC32-208	OC32-208	OC32-208	OC32-208	LOCK SUPPORT	KLINKE	VERGRENDELSCHUIF
26.	OC32-224	OC32-224	OC32-224	OC32-224	LOCK PUSH	RIEGEL	MEENEMER VERGRENDELING
27.	OC30-324	OC30-324	OC30-324	OC30-324	PULLEY SUPPORT	SICHERUNGSBLECH	OPSLUITPLAAT
28.	OC30-230	OC30-230	OC34-320	-	SELF-LUBRICATED BUSHING	LAGER	ZELFSMERENDE BUS
29.	OC30-212	OC30-212	OC30-212	OC30-212	CROSSPIN PULLEY SHAFT	BOLZEN	AS (KABELLOOPWIEL)
30.	OC30-223	OC30-223	OC30-223	OC30-223	ROCKER ARM WHEEL	ROLLE	WIEL (ONTGRENDEL HEFBOOM)
31a.	OC30-218	OC30-218	OC30-218	OC30-218	COMPLETE ROCKER ARM old model	ENTRIEGELN HEBEL ALT	ONTGRENDELHEFBOOM oud model
31b.	OC30-224	OC30-224	OC30-224	OC30-224	COMPLETE ROCKER ARM new model	ENTRIEGELN HEBEL NEU	ONTGRENDELHEFBOOM nieuw model
32.	OC32-235	OC32-235	OC32-235	OC32-235	SAFETY MICROSWITCH RAMMER	NOCKEN	AS (ONTGR.HANDELWIEL)
33.	OC30-233	OC30-233	OC30-233	OC30-233	ROCKER ARM SPRING	FEDER	VEER (ONTGRENDEL HEFBOOM)
34.	OC30-219	OC30-219	OC30-219	OC30-219	ROCKER ARM SEPARATING BUSHING	DISTANZRING	AFSTANDBUS (ONTGR.HEFB.)
35.	OC30-217	OC30-214	OC30-214	OC30-214	ROCKER ARM AXIS	BOLZEN	AS (ONTGRENDELHEFBOOM)
36.	OC29-112	OC32-126	OC34-126	OC34-125	HYDRAULIC HOSE	HYDRAULISCHE SCHLAUCH	HYDR.SLANG
37.	OC29-418	OC32-418	OC32-418	OC32-418	RESTRICTOR VALVE	SCHLAUCH BRUCH SICHERUNG	SLANGBREUKBEVEILIGING
38.	OC29-400	OC32-400	OC34-400	OC34-680	COMPLETE HYDRAULIC CYLINDER	ZILINDER KOMPLETT	HYDR.CILINDER CPL.
39.	OC29-329	OC30-323	OC30-323	OC34-626	CYLINDER ATTACHMENT BRIDGE	BUGEL FÜR ZILINDER	MONTAGEBEUGEL CILINDER
40.	OC29-408	OC32-409	OC34-409	OC34-681C	STEM	KOLBENSTANGE	ZUIGERSTANG
41.	OC29-406	OC30-403	OC30-403	OC34-682	PISTON WASHER	FÜHRUNGSRING	OPVULRING (CILINDER)
42.	OC30-416	OC30-416	OC30-416	OC34-683	O-RING 24X2,5	O-RING	O RING 24 X 2,5
43.	OC29-412	OC30-412	OC30-412	OC34-684	MAIN COLLAR	STÜTZRING	OPSLUITRING (CILINDER)
44.	OC29-405	OC30-405	OC30-405	OC34-685	PISTON	KOLBEN	ZUIGER (HYDR.CILINDER)
45.	OC29-403	OC30-404	OC30-404	OC34-686	MAIN NUT	MUTTER	MOER (CILINDER)
46.	OC30-413	OC30-413	OC30-413	OC34-687	MAIN NUT COLLAR	NUTRING	OPSLUITRING (CIL.MOER)
47.	OC29-409	OC30-415	OC30-415	OC34-688	MAIN NUT O-RING	O-RING	KEERRING (CILINDER)
48.	OC29-320	OC32-317	OC32-317	OC34-690	COMPLETE WIRE BUNDLE	SEILADAPTERPLATTE	TREKHEFBOOM (STAALKABEL)
49.	OB432-6201	OB432-6201	OB432-6201	OB432-6201	WIRE BUNDLE BEARING	LAGER	LAGER (TREKHEFBOOM)
50.	OC30-414	OC30-414	OC30-414	OC34-689	MAIN NUT SCRAPER	-	SCHRAPER (CILINDER)
51.	OC29-301	OC32-301	OC34-301	OC34-640	COMPLETE SINGLE PLATFORM	SCHIENE FOLGSEITE	VERSCHUIFB.RIJBAAN (KAAL)
52.	OC29-300	OC32-300	OC34-300	OC34-650	PLATFORM WELDED CYLINDER	SCHIENE KOMMANDOSEITE	VASTE/CIL.RIJBAAN (KAAL)
51MOT.	OC29-301MOT	OC34-301MOT	-	COMPLETE SINGLE PLATFORM MOT	SCHIENE FOLGSEITE MOT	VERSCHUIFB.RIJBAAN MOT (KAAL)
52MOT.	OC29-300MOT	OC34-300MOT	-	PLATFORM WELDED CYLINDER MOT	SCHIENE KOMMANDOSEITE MOT	VASTE/CIL.RIJBAAN MOT (KAAL)
51T.	OC29-341	OC33-301	OC34-301T	OC34-399	COMPLETE SINGLE PLATFORM T	SCHIENE FOLGSEITE (AUSWUCHTEN)	VERSCHUIFB.RIJBAAN T (KAAL)
52T.	OC29-340	OC33-300	OC34-300T	OC34-398	PLATFORM WELDED CYLINDER T	SCHIENE KOM.SEITE (AUSWUCHTEN)	VASTE/CIL.RIJBAAN T (KAAL)



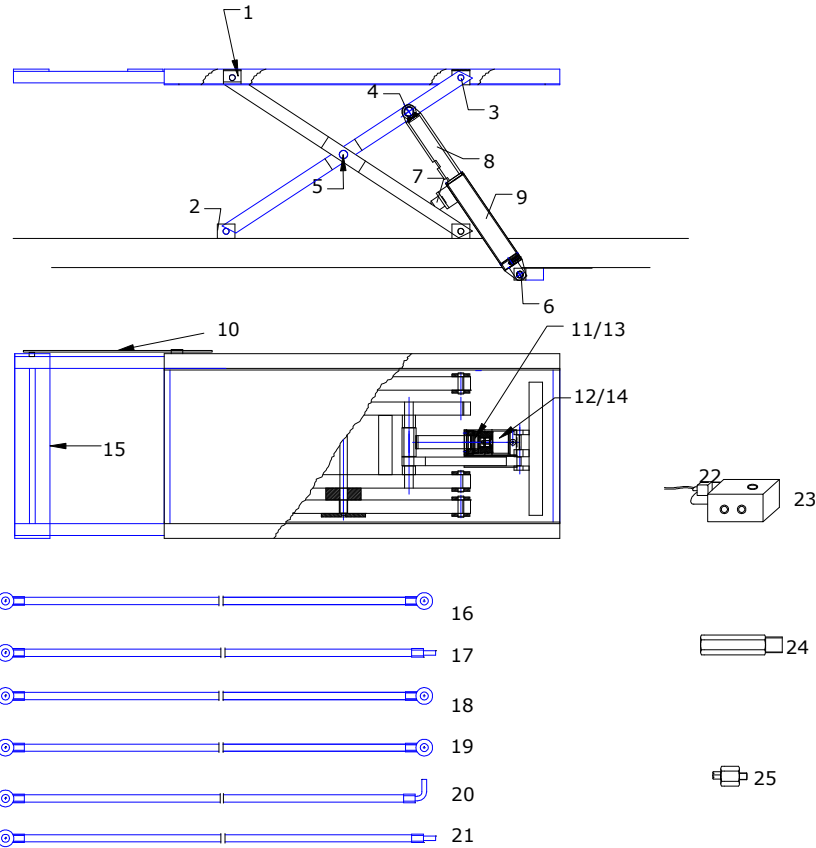


Basic model, Basis Modell, Basis model



AL4044/V-WF, AL4044/VT-WF

POS	ORD. NR. BEST.NR AL3044 AL3044/MOT AL3044/T	ORD. NR. BEST.NR AL4044 AL4044/T AL4044/WF	ORD. NR. BEST.NR AL4044/VANS AL4044/MOT AL4044/VANS/T AL4044/VS AL4044/V-WF AL4044/VT-WF	ORD.NR. BEST.NR AL5044 AL5044/T	DESCRIPTION	BESCHREIBUNG	OMSCHRIJVING
2.	OC15-826	OC15-826	OC15-826	OC15-826	UP-DOWN BUTTON	HEBEN-SENKEN SCHALTER	DRUKKNOP OP/NEER VOORZIJD
3a.	OC15-827	OC15-827	OC15-827	OC15-827	UP CONTACT (NO)	KONTAKTBLOCK (NO)	KONTACTBLOK NO
3b.	OC15-808	OC15-808	OC15-808	OC15-808	UP CONTACT GROUP (1NO,1NC)	KONTAKTBLOCK (NO, NC)	CONTACTBLOK NC+NO
3c.	OC15-827	OC15-827	OC15-827	OC15-827	DOWN CONTACT (N-O)	KONTAKTBLOCK (NO)	KONTACTBLOK NO
3d.	OC15-808	OC15-808	OC15-808	OC15-808	DOWN CONTACT GROUP (1NO,1NC)	KONTAKTBLOCK (NO, NC)	CONTACTBLOK NC+NO
4.	OC15-101	OC15-101	OC15-101	OC15-101	ELECTRICAL CABINET (EMPTY)	ELEKTROKASTE	BEDIENINGSKAST
4a.	OC15-101/PS	OC15-101/PS	OC15-101/PS	OC15-101/PS	FITTINGS CABINET	SCHRAUBEN KASTE	SCHROEVEN BEDIENINGSKAST
5.	OS60-0089	OS60-0089	OS60-0089	OS60-0089	GENERAL INTERRUPTER	HAUPTSCHALTER	HOOFDSCHAKELAAR
6.	OS60-0058	OS60-0058	OS60-0058	OS60-0058	CONTACTOR 24V	RELAIS 24V	MAGNEETSCHAKELAAR 24V
10.	OB370-24-50	OB370-24-50	OB370-24-50	OB370-24-50	TRANSFORMER	TRAFO	TRANSFORMATOR 50VA400V3Ph
76.	OS60-0098	OS60-0098	OS60-0098	OS60-0098	ACOUSTIC WARNING	SUMMER	DAALZOEMER 24V
79.	OC15-831	OC15-831	OC15-831	OC15-831	BLOCKING PUSH BUTTON (FOOT SAFE-)	FÜBSICHERUNG SCHALTER	DRUKKNOP (VOETBEVEILIGING)
80.	OC15-808	OC15-808	OC15-808	OC15-808	BLOCKING CONTACT (1NO,1NC)	KONTAKTBLOCK (NO, NC)	KONTACTBLOK (NC+OC)
81.	OC32-150	OC32-150	OC32-150	OC32-150	COMPLETE ELECTRICAL CABINET	ELEKTROKASTE KOMPLETT 3PH	BEDIENINGSKAST CPL. 3Ph
84.	OC15-059	OC15-059	OC15-059	OC15-059	TIMER RELAY	ZEIT RELAIS	TIMER 24V
85.	OC32-151	OC32-151	OC32-151	OC32-151	SINGLE-PHASE ELECTRICAL CABINET	ELEKTROKASTE KOMPLETT 1PH	BEDIENINGSKAST CPL. 1Ph
86.	OC15-828	OC15-828	OC15-828	OC15-828	CONTACTOR 24V 1PH	SCHÜTZ 24v 1PH	MAGNEETSCHAKELAAR 24V
AL4044/V-WF AL4044/VT-WF							
4.			OC34-397		ELECTRICAL CABINET (EMPTY)	ELEKTROKASTE	BEDIENINGSKAST
87a.			OC15-008		3WAY SELECTOR	WAHLSCHALTER	KEUZESCHAKELAAR
87b.			OC15-053		ADAPTOR	ADAPTOR	ADAPTOR
87c.			OC15-808		CONTACT GROUP (1NO, 1NC)	KONTAKTBLOCK (NO, NC)	KONTACTBLOK NC+NC
88a.			OC15-831		PUSH BUTTON UP / DOWN	HEBEN / SENKEN SCHALTER	DRUKKNOP OP/NEER VOORZIJD
88b.			OC15-808		CONTACT GROUP (1NO / 1NC)	KONTAKTBLOCK (NO, NC)	KONTACTBLOK NC+NO
88c.			OC15-827		DOWN CONTACT (NO)	KONTAKTBLOCK (NO)	KONTACTBLOK NO
88e.			OC15-835		BUTTON COVER WITH NARROW	SCHALTER PLATTE	DRUKKNOPSCILD MET PIJL



POS	ORD. NR. BEST.NR AL3044 AL3044/MOT AL3044/T	ORD. NR. BEST.NR AL4044 AL4044/T AL4044/WF	ORD. NR. BEST.NR AL4044/VANS AL4044/MOT AL4044/VANS/T AL4044/VS AL4044/V-WF AL4044/VT-WF	ORD.NR. BEST.NR AL5044 AL5044/T	DESCRIPTION	BESCHREIBUNG	OMSCHRIJVING
1.			OC34-865		UPPER NYLON GUIDE	OBERE GLEITSTÜCK	NYLON GLIJBLOK BOVEN
2.			OC34-866		LOWER NYLON GUIDE	UNTERE GLEITSTÜCK	NYLON GLIJBLOK ONDER
3.			OC34-868		ARM AXLE	BOLZ SCHERE	AS ARM
4.			OC34-867		CYLINDER-ARM AXLE	BOLZ ZILINDER-SCHERE	AS CILINDER-ARM
5.			OC34-856		CENTRAL SCISSOR AXLE	BOLZ ZILINDER	AS SCHAAR
6.			OC34-970				
			OC34-971		LOWER CYLINDER AXLE	BOLZ ZILINDER UNTER	AS CILINDER ONDER
7.			OC34-930		SAFETY CYLINDER	SICHERUNG ZILINDER	VEILIGHEIDSCILINDER
8.			OC34-924		SAFETY BLOCK	SICHERUNGS BLOCK	VEILIGHEIDSBLOK
9.			OC34-920		SAFETY BODY	SICHERUNGS HOUSE	VEILIGHEIDSHUIS
10.			OC34-883		EXTENSIBLE STOP	AUSZUG STOP	EINDSTOP UITSCHUIFGEDEELTE
11.			OC34-888		KIT MASTER CYLINDER	SATZ HAUPT ZILINDER	SET HOOFDCILINDER
12.			OC34-890		MASTER CYLINDER	HAUPT ZILINDER	HOOFDCILINDER
13.			OC34-889		SLAVE CYLINDER KIT	SATZ FOLG ZILINDER	SET VOLGCILINDER
14.			OC34-905		SLAVE CYLINDER	FOLG ZILINDER	VOLGCILINDER
15.			OC34-880		EXTENSIBLE	AUSZUG	UITSCHUIFGEDEELTE
16.			OC34-125		4-POST HYDRAULIC HOSE	HYDR. SCHLAUCH 4-COLUMN	HYDR. SLANG 4-PLATFORM
17.			OC34-945		MASTER-RETURN HOSE	HYDR. SCHLAUCH ZURUCK HAUPT	HYDR. SLANG HOOFD-RETOUR
18.			OC34-942		MASTER INPUT HOSE	HYDR. SCHLAUCH ZUFUHR HAUPT	HYDR. SLANG TOEVOER HOOFD
19.			OC34-941		REGULATION VALVE-GROUP HOSE.	HYDR. SCHL. GLEICHLAUF VENTIL	HYDR. SLANG GELIJKLOOP VENTIEL
20.			OC34-943		REGULATION HOSE	HYDR. SCHLAUCH GLEICHLAUF	HYDR. SLANG GELIJKLOOP
21.			OC34-944		SLAVE INPUT HOSE	HYDR. SCHLAUCH ZUFUHR FOLG	HYDR. SLANG TOEVOER VOLG
22.			OC34-975		SELECTOR ELECTROVALVE	WAHL VENTIL	KEUZE ELECTROVENTIEL
23.			OC34-969		SELECTOR BLOCK	WAHL VENTIL BLOCK	KEUZE VENTIELBLOK
24.			OC34-983		FLOW REGULATOR	GESCHWINDIGKEIT VENTIL	SNELHEIDREGELVENTIEL
25.			OC34-989		PRESSURE SWITCH	ABDRUCK SCHALTER	OVERDRUKSCHAKELAAR