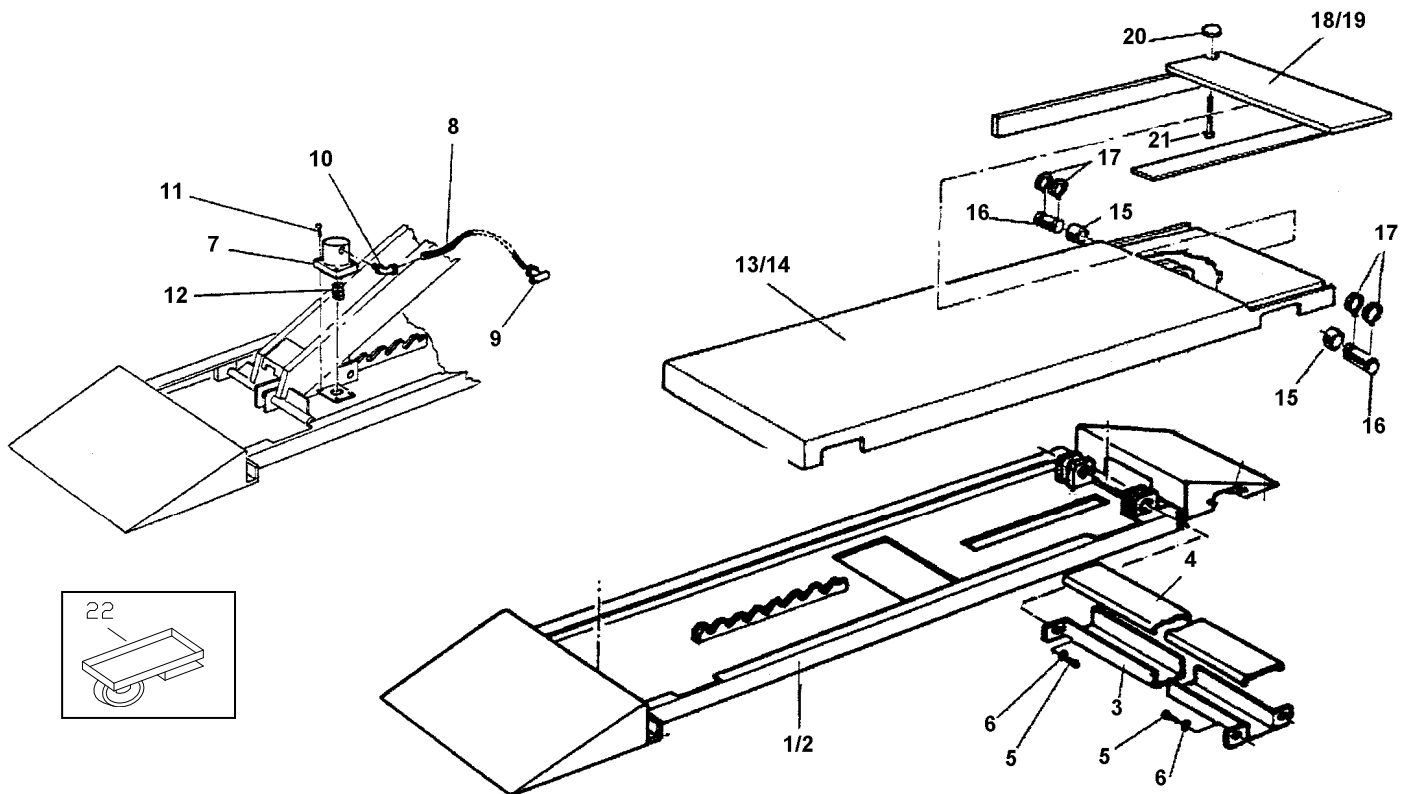


ASB-2503

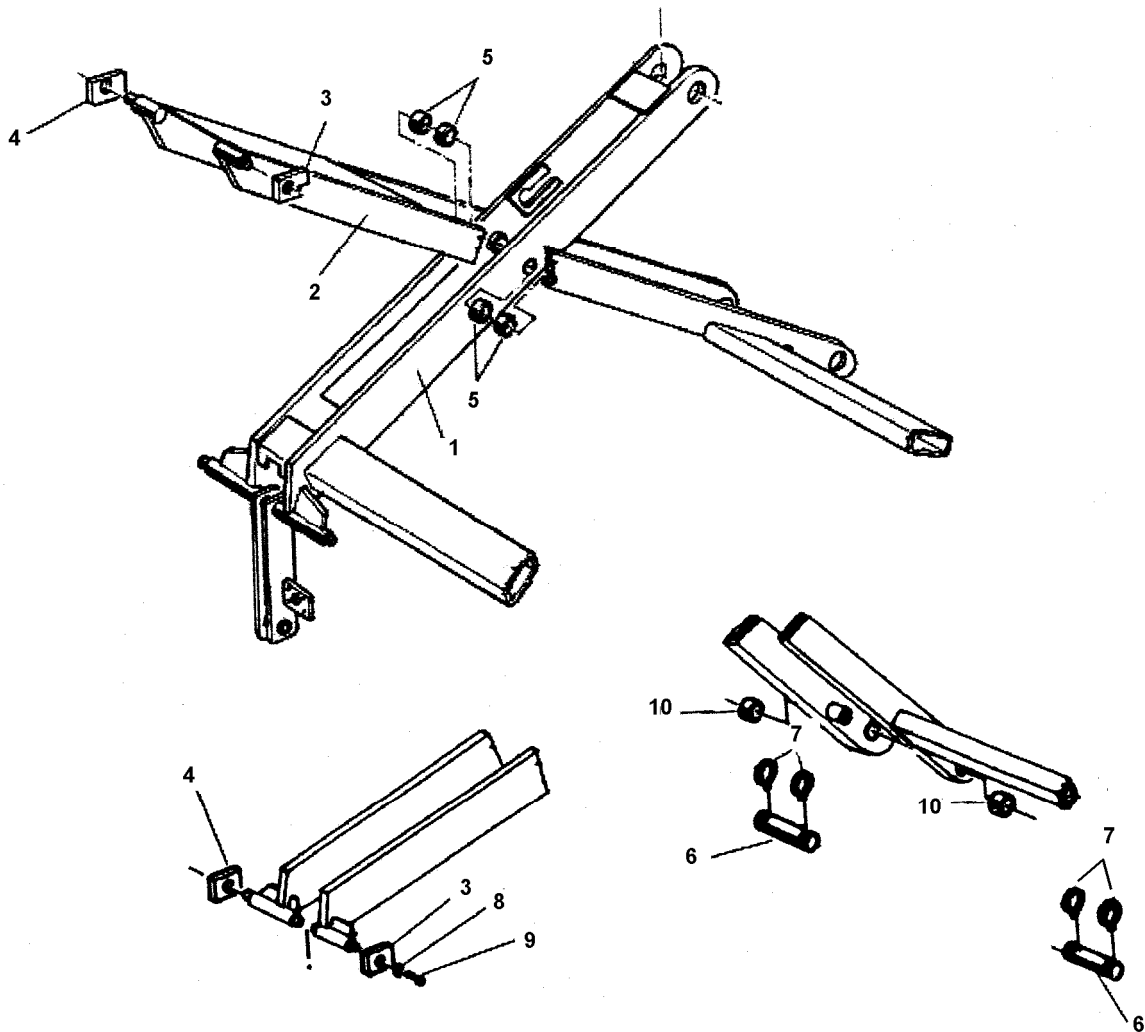


POS	BESTEL NUMMER ORDER NUMMER BESTELLINGSNUM	DESCRIPTION	BESCHREIBUNG	OMSCHRIJVING
1.	OS10-325	BASE FRAME PLATFORM 1		GRONDFRAME (KAAL) 1
2.	OS10-406	BASE FRAME PLATFORM 2		GRONDFRAME (KAAL) 2
3.	OS10-426	CHOCK		VERBINDINGSPIJP 1/2 FRAME
4.	OS10-425	CHOCK COVER		DEKSEL (VERBINDINGSPIJP)
5.	FB4017M8X20	BOLT		BOUT
6.	FRD125M8	WASHER		SLUITRING
7.	OS50-0044	AIR CYLINDER FRAME		PNEUM.VERGRENDELKLEP CPL.
8.	TILS6X4/1000	WHITE AIR HOSE		WITTE LUCHT SLANG
9.	OS50-0005	UNION TEE		PNEUM. T. STUK 6X4MM
10.	OS50-0027	90° PIPE JUNCTION		PNEUM.L. STUK 1/4"
11.	FBD912M6X20	SOCKED HEAD SCREW		INBUSSCHROEF
12.	OS20-0157	SPRING		VEER
13.	OS10-328	RUNWAY PLATFORM 1		OPNAMEPLATEAU/TOPPLAAT P1
14.	OS10-405	RUNWAY PLATFORM 2		OPNAMEPLATEAU/TOPPLAAT P2
15.	OS30-0236	SELF LUBR.BUSHING KU 30X20		ZELFSMERENDE BUS 30X20
16.	OS20-0132	ARM FIXING PIN		BEVEST.PEN SCHAARBEEN
17.	FRD471M30	SEEGER		SEEGERRING
18.	OS10-316	EXTENSION PLATFORM 1		VERLENGSTUK OPN.PLAT.P1
19.	OS10-317	EXTENSION PLATFORM 2		VERLENGSTUK OPN.PLAT.P2
20.	OS20-0137	KNOB FOR EXTENSION		KNOP VOOR VERLENGING
21.	OS20-0141	SCREW FOR KNOB		BOUT VOOR VERLENGSTUK

Accessories for the ASB-2503 to make a ASB-2503/M (M=Mobile)

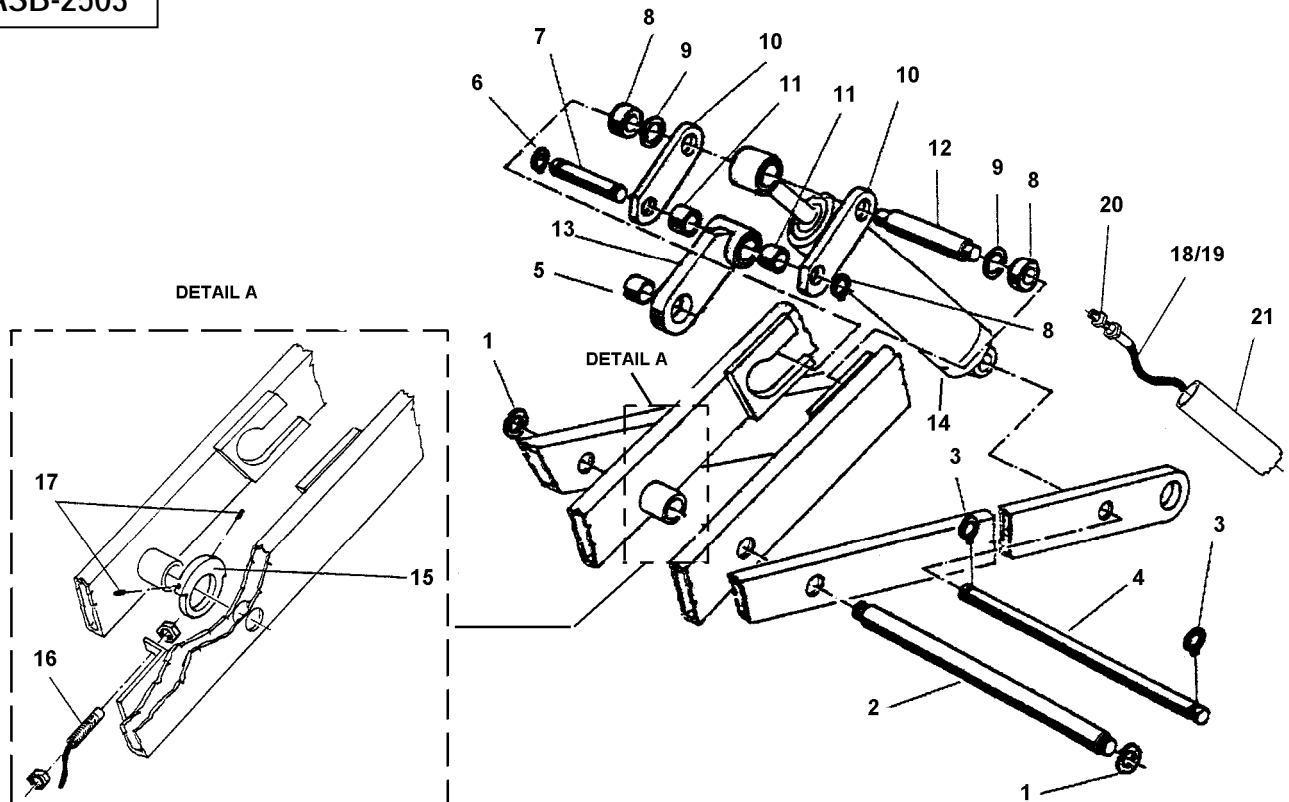
22.	ASB-2503/A7	SET (3) WHEELS	SATZ (3) RADERN	SET (3) WIELEN
-----	-------------	----------------	-----------------	----------------

ASB-2503



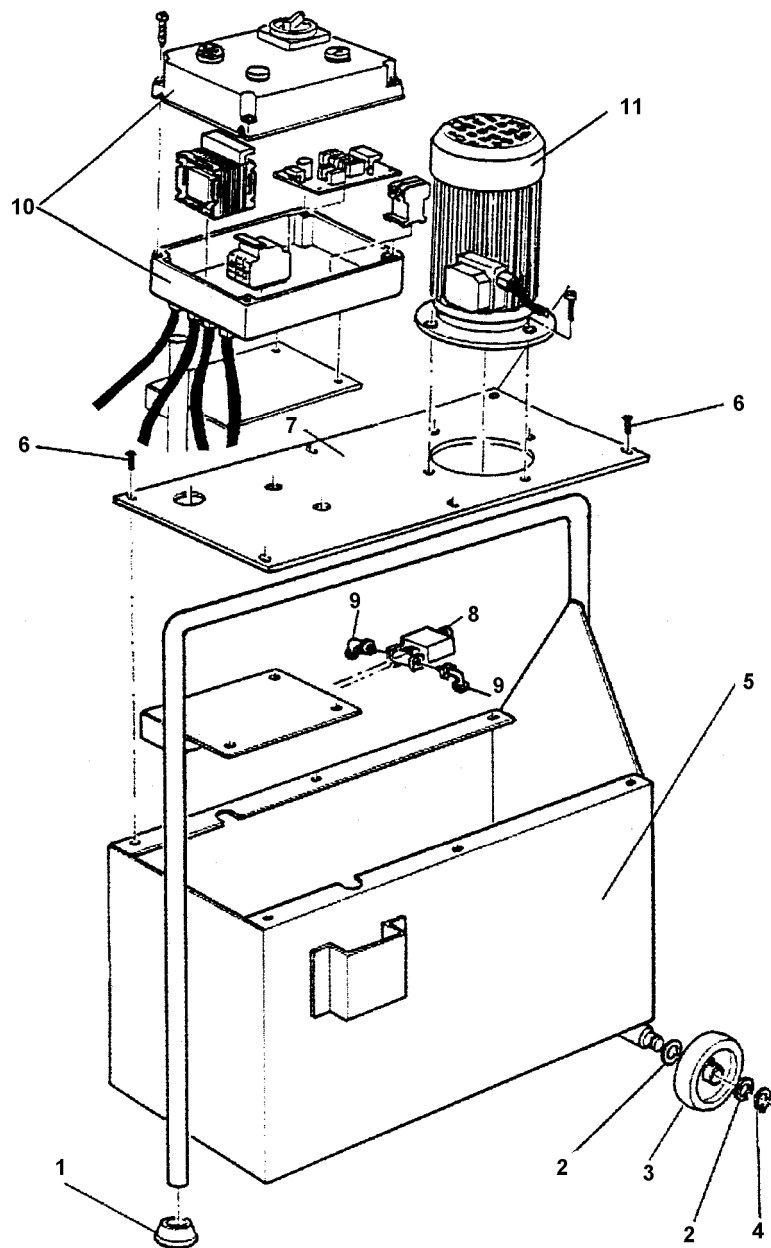
POS	BESTEL NUMMER ORDER NUMMER BESTELLUNGSNUM	DESCRIPTION	BESCHREIBUNG	OMSCHRIJVING
1.	OS10-326	INNER ARM		SCHAARBEEN INTERN
2.	OS10-327	EXTERNAL ARM		SCHAARBEEN EXTERN
3.	OS10-428	SLIDING BLOCK INTERNAL		GELEIDINGSBLOK INTERN
4.	OS10-362	SLIDING BLOCK		GELEIDINGSBLOK BUITEN
5.	OS30-0031	SELF LUBR.BUSHING KU 25X30		ZELFSMERENDE BUS 25X30
6.	OS20-0135	BASE FIXING PIN		BEVEST.PEN GRONDF/SCHAARB.
7.	FRD471M30	SEEGER		SEEGERRING
8.	FRD125M8	WASHER		SLUITRING
9.	FSD7991M6X20	SCREW		INBUSSCHROEF
10.	OS30-0236	SELF.LUBR BUSHING 30X20		ZELFSMERENDE BUS 30X20

ASB-2503



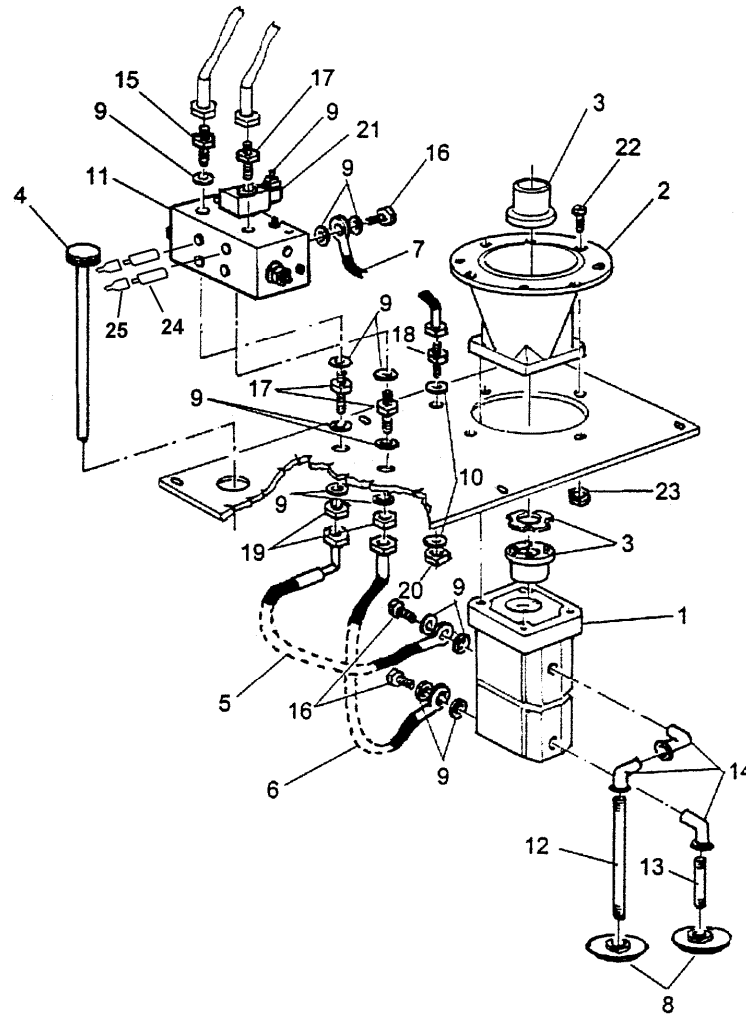
POS	BESTEL NUMMER ORDER NUMMER BESTELLUNGSNUM	DESCRIPTION	BESCHREIBUNG	OMSCHRIJVING
1.	OS30-0084	SELF LOCKING RING NUT M20X1		BORGMOER
2.	OS20-0133	ARMS CONNECTION PIN		VERBINDINGSPEN SCHAARBENEN
3.	FRD471M25	SEEGER		SEEGERRING
4.	OS20-0138	LOWER CYLINDER FIXING PIN		BEVEST.PEN CIL.BENEDEN
5.	OS30-0005	SELF LUBR.BUSHING KU 30X20		ZELFSMERENDE BUS 30X30
6.	FRD471M20	SEEGER		SEEGERRING
7.	OS20-0116	LEVER CONNECTION PIN		BEVEST.PEN EXCENTER
8.	OS20-0113	ROLLER GUIDING LEVER		GELEIDINGSROLI
9.	OS30-0257	SPACER 30X45X1,5		OPRINGRING 30X45X1,5
10.	OS10-0360	LEVER		HEFBOOM
11.	OS30-0223	SELF LUBR.BUSHING KU 20X20		ZELFSMERENDE BUS 20X20
12.	OS20-0134	CYLINDER UPPER FIXING PIN		BEVEST.PEN CIL.BOVEN
13.	OS10-0361	ARM LEVER		SCHAARBENEN (HEFBOOM)
14.	OS40-0275	CYLINDER		HYDR.CYLINDER CPL.
15.	OS10-275	CAM		MEENEMER
16.	OS61-0050	LIMIT SWITCH NC 8 M (SAFETY HEIGHT)		EINDSCHAKELAAR 8m/NC
17.	FBD913M5X10	DOWEL		INBUSSCHROEF
18.	OS00-40044	HOSE R2 AT ¼" L=5300MM		HYDR.SLANG R2AT 5300X1/4
19.	OS00-40046	HOSE R2 AT ¼" L=4000MM		HYDR.SLANG R2AT 4000X1/4
20.	OS40-0148	NIPPLE ¼"		HYDR.NIPPEL ¼"
21.	OS70-0041	SHEATH		BESCHERMINGSOK (SLANG)

ASB-2503



POS	BESTEL NUMMER ORDER NUMBER BESTELLUNGSNUM	DESCRIPTION	BESCHREIBUNG	OMSCHRIJVING
1.	OS70-0043	RUBBER PLUG		RUBBER VOET/STOP
2.	FRD125M10	WASHER		SLUITRING
3.	OS70-0040	WHEEL		KUNSTSTOFWIEL
4.	FRD471M10	SEEGER		SEEGERRING
5.	OS10-414	CONTROL DESK FRAME		STANDAARD BED.KAST (KAAL)
6.	FS7380M6X16	SOCKET HEAD SCREW		INBUSBOUW
7.	OS10-424	TANK COVER		DEKSEL OLIERESERVOIR
8.	OS50-0002	AIR ELECTROVALVE 24V AC		ELEKTROVENTIEL 24V AC
9.	OS50-0027	90° UNION ELBOW		PNEUM.L STUK ¼"
10.	OS00-60002	ELECTRIC BOX		CPL.SCHAKELKAST 400V3Ph
11.	OS60-0096	ELECTRIC MOTOR		ELEK.MOTOR 3PhG90L4S3

ASB-2503



POS	BESTEL NUMMER ORDER NUMMER BESTELLUNGSNUM	DESCRIPTION	BESCHREIBUNG	OMSCHRIJVING
1.	OS40-0319	HYDRAULIC PUMP		HYDR.POMP (KAAL)
2.	OS40-0239	PUMP- SPIDER		FLENS LSE 201 (OLIEPOMP)
3.	OS00-40050	JOINT		MEENEMER (OLIEPOMP)
4.	OS40-0021	TANK PLUG		OLIEPIELSTOK
5.	OS00-40051	HOSE R2 AT 3/8" L=330MM		HYDR.SLANG R2AT 330X3/8"
6.	OS00-40051	HOSE R2 AT 3/8" L=330MM		HYDR.SLANG R2AT 330X3/8"
7.	OS00-40053	HOSE R2 AT 1/4" L=280MM		HYDR.SLANG R1AT 280X1/4"
8.	OS40-0027	FILTER		FILTER3/8" (OLIEPOMP)
9.	OS40-0020	COPPER WASHER 3/8"		HYDR.KOPEREN OPVULRING 3/8"
10.	OS40-0019	COPPER WASHER 1/4"		HYDR.KOPEREN OPVULRING 1/4"
11.	OS40-0321	CONTROL UNIT		VERDEELBLOK (OLIEPOMP)
12.	OS40-0354	THREADED HOSE 3/8" L=140MM		KUNSTSTOF PIJP 140 X 3/8"
13.	OS40-0355	THREADED HOSE 3/8" L=70MM		KUNSTSTOF PIJP 70 X 3/8"
14.	OS50-0049	90° UNION ELBOW 3/8"		PNEUM.L STUK 3/8"
15.	OS40-0012	NIPLES M/M 3/8"-1/4"		HYDR.NIPPEL 1/4"
16.	OS40-0006	HOLED BOLT 3/8"		HYDR.BANJOBOUT 3/8"
17.	OS40-0353	PLATE THROUGH BOLT 3/8"		SPEC.BOUT 3/8"
18.	OS40-0210	PLATE THROUGH BOLT 1/4"		SPEC.BOUT 1/4"
19.	OS20-0027	3/8" NUT		MOER 3/8"
20.	OS40-0206	1/4" NUT		MOER 1/4"
21.	OS41-1345	OIL SOLENOID VALVE		DAALVENTIEL
22.	FSD	SOCKET HEAD SCREW		INBUSBOUT
23.	FN	SELF LOCKING NUT		BORGMOER
24.	OS60-0372	OIL PRESSURE VALVE		PRESSOSTAAT
25.	OS60-0424	RUBBER CAP		RUBBER-KAP (PRESSOSTAAT)