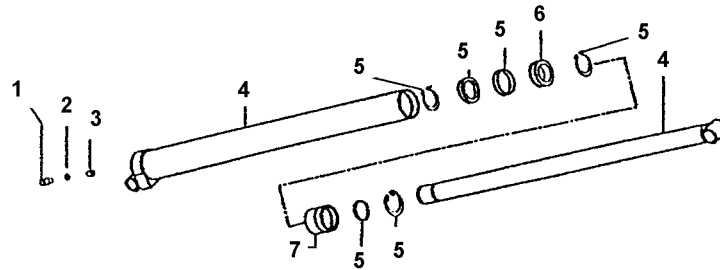


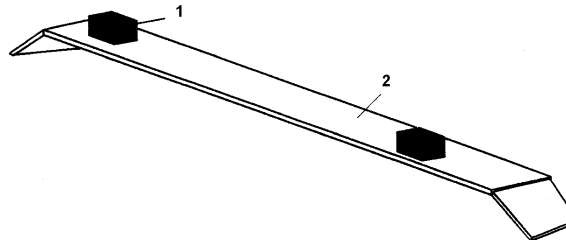
POS	OLD NUMBER OLD NUMBER ALT NUM.	OLD NUMBER OLD NUMBER ALT NUM.	BESTEL NUMMER ORDER NUMBER BESTELLUNGSNUM	DESCRIPTION	BESCHREIBUNG	OMSCHRIJVING
1.	20051014	CT2200005	OB241-010	SHAFT SAWIVEL ARM	ACHSE SCHWENKARM	AS (DRAAI/DRAAIARM)
2.	20051002	CT2200012	OB222-002	PLATFORM	PLATTFORM	OPNAMEPLATEAU
3.	20051021	RT2200032	OB913-9711058	LIFT PAD	AUFNAME BLOCK	DRAAGRUBBER(BLOK)
3a.	20051021/P	CT2200006	OB243-001	STIFT AUFNAHMEBLOCK	TRÄGER AUFNAHMEBLOCK	DRAAGSLEE OPN.BLOK
4.	20051018	CT2200014	OB282-003	SUPPORT LIFT PAD CPL	KPL.	
5.	20051043	FSP8752-4x16	FSP8752-4x16	CLAMPING BUSH	SPANNBÜCHSE	BORGSTIFT 4x16
6.	20051013	CT2200008	OB212-001	SWIVEL ARM	SCHWENKARM	DRAAGARM (DRAAIBAAR/KAAL)
7.	20051015	FN981GUK-ZM30	FN981GUK-ZM30	LOCK RING	SICHERUNGSRING	MOER MET GLEUF M30
8.	20051026	FRD471M22	FRD471M22	SEEGER M22	SICHERUNGSRING	SEEGERRING M22
9.	20051005	CT2200017	OB241-013	HINGE PIN	SCHARNIERBOLZEN	BEVAST.PEN HEFFFRAME
10.	20051003	CT2200009	OB262-001	LIFT ARM	HUBARM	HEFARM (TBV FRAME)
11.	20051023	P/20051023	OB500-002	CYLINDER, COMPL.	ZYLINDER, KOMPL.	HYDR.CILINDER
12.	20051024	CT2200025	OB241-015	STAY BOLT	ANKERBOLZEN	BEVEST.PEN
				HYDRAUL.CYL.	HYDRAUL.ZYL.	CILINDER/DOWN
13.	20051022	FRD471M30	FRD471M30	LOCK RING	SICHERUNGSRING	SEEGERRING
14.	20051042	P/20051042	OB521-3000 + OB511-1/4-3/8	HYDRAULIC HOSE	HYDRAULIEK SCHLAUCH	HYDR.SLANG
15.	20051012	FRD125M10	FRD125M10	BOLT	BOLZEN	SLUITRING
16.	20051008	CT2200004	OB242-003	PIN	STIFT	AS (WIEL)
17.	20051004	P/20051004	OB180-4018	FRONT WHEELS	VORDERER ROLLEN	WIEL
18.	20051006	FB4029M6x12	FB4029M6x12	SOCKET SCREW	STELSCHRAUBE	GRD.FRAME/ACHTER STELSCHROEF MET BINNEN ZESKANT
19.	20051007	CT2200016	OB241-012	HINGE PIN	SCHARNIERBOLZEN	BEVEST.PEN GRONDFRAME
20.	20051009	CT2200010	OB262-002	SAFETY FRAME	SICHERHEITSRAHMEN	VEILIGHEIDSRAME
21.	20051031	ST-RIJRICH	OB902-DD	STICKER DRIVE ON	AUFKLEBER FAHRRICHTUNG	STICKER RIJRICHTING (50x160)
22.	20051025	CT2200023	OB241-014	MOUNTING ROD	BOLZEN F. STANGE	BEVAST.PEN
				HYDRAUL.CIL	HYDRAUL. ZYL	CILINDER/UP
23.	20051016	CT2200024	OB282-006	PLATE	SCHEIBE	PEN (BORGPLAAT/CIL)
24.	20051010	CT2200015	OB241-011	HINGE PIN SUPPORT FRAME	SCHARNIER. SICHERH.RAHMEN	BEVEST.PEN HEFFFRAME
POS	OLD NUMBER OLD NUMBER ALT NUM.	OLD NUMBER OLD NUMBER ALT NUM.	BESTEL NUMMER ORDER NUMBER BESTELLUNGSNUM	DESCRIPTION	BESCHREIBUNG	OMSCHRIJVING
25.	20051003	CT2200009	OB262-001	LIFT ARM	HUB ARM	HEFARM (TBV FRAME)
26.	20051011	CT2200011	OB282-002	SUPPORT FRAME LOCK	SICHERH.RAHMENVERRIEGE LUNG	ONTGRENDELHENDEL
27.	20051012	FRD125M10	FRD125M10	BOLT	BILZEN	SLUITRING
28.	20051017	FRD125M12	FRD125M12	WASHER	SCHEIBE	SLUITRING
29.	20051028	P/20051028	OA150	WHEEL, REAR	ROLLE, HINTEN	KAAL ZWENKWIEL



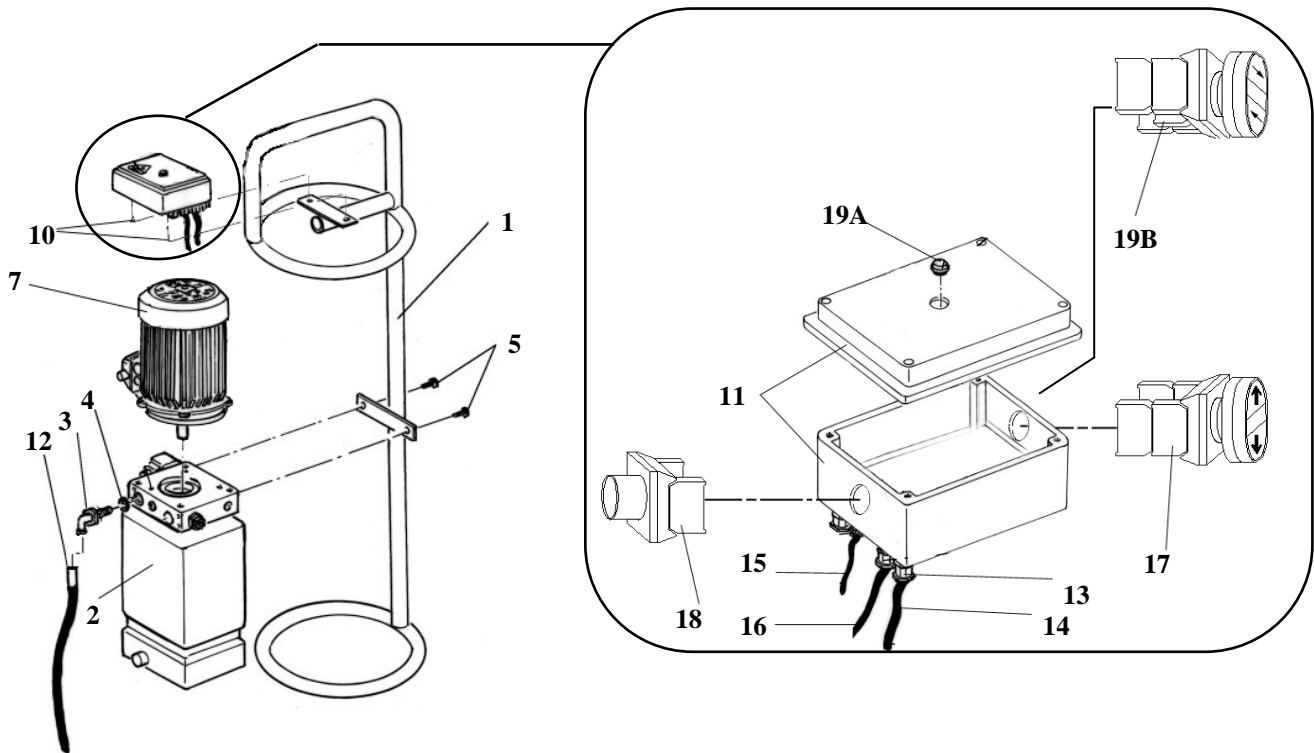
30.	20051029	FRD471M10	FRD471M10	LOCKING PIN WHEELS	SICHERHEITSSSTIFT	(VOOR) SEEGERRING
31.	20051027	CT2200020	OB282-001	SUPPORT REAR WHEEL	AUFLAGEVORRICHTUNG ROLLEN	STEUN (WIEL) VOOR
32.	20051020	CT2200021	OB242-001	LEVER WHEEL SUPPORT	HEBEL AUFN.ROLLE	HENDEL (WIEL/VOOR)
33.	20051001	CT2200013	OB222-001	BASE FRAME	UNTERER RAHMEN	GRONDFRAME (KAAL)
34.	20051030	CT2200019	OB282-004	LEVER TRANSPORT SYSTEM	HEBEL TRANSPORT EINRICHTUNG	LOSSE STANG HEFBOOM
35.	20051033	CT2200022	OB282-005	CYLINDER COVER	ABDECKUNG ZYLINDER	AFDEKPLAAT (CILINDER)
36.	20051043	FSP8752-4x16	FSP8752-4x16	CLAMPING BUSH	SPANNBÜCHSE	BORGSTIFT 4x16
37.	20051035	FB4017M10x80	FB4017M10x80	BOLT	BOLZEN	ZESKANTBOUT
38.	20051037	FSP8752-4x20	FSP8752-4x20	CLAMPING BUSH	SPANNBÜCHSE	BORGSTIFT 4x20
39.	20051036	FRD471M10	FRD471M10	CIRCLIP	SICHERUNGSRING	SEEGERRING
40.	20051039	FND985M10 OR 12	FND985M10 OR 12	NUT	MUTTER	BORGMOER M10X2



POS	OLD NUMBER ALT NUM.	OLD NUMBER ALT NUM.	BESTEL NUMMER ORDER NUMBER BESTELLUNGSNUM	DESCRIPTION	BESCHREIBUNG	OMSCHRIJVING
1.	20050212	15038038	OB511-3/8-3/8	NIPPLE	NIPPEL	NIPPEL
2.	20050211	PF/FR..GROEP	OB592-3/8	WASHER	SCHEIBE	RING
3.	20050204			VALVE	VENTIL	VEILIGHEIDSKLEP
4.	20050201 20050202	P/20051023(CPL)	OB500-002	CYLINDER PISTON	ZYLINDER KOLBEN	HYDR.CILINDER ZUIGER
5.	20050209 20050208 20050207 20050210 20050206	P/20051023/RP	OB500-002/RP	CIRCLIP GASKET SCRAPER CIRCLIP GASKET	SICHERUNGSRING DICHTUNG OLABSTREIFRING SICHERUNGSRING DICHTUNG	SEEGERRING AFDICHTING OLIESCHRAAPVEER SEEGERRING AFDICHTRING
6.	20050203			GUIDERING RING	FÜHRUNGSRING RING	GELEIDERING RING
7.	20050205					

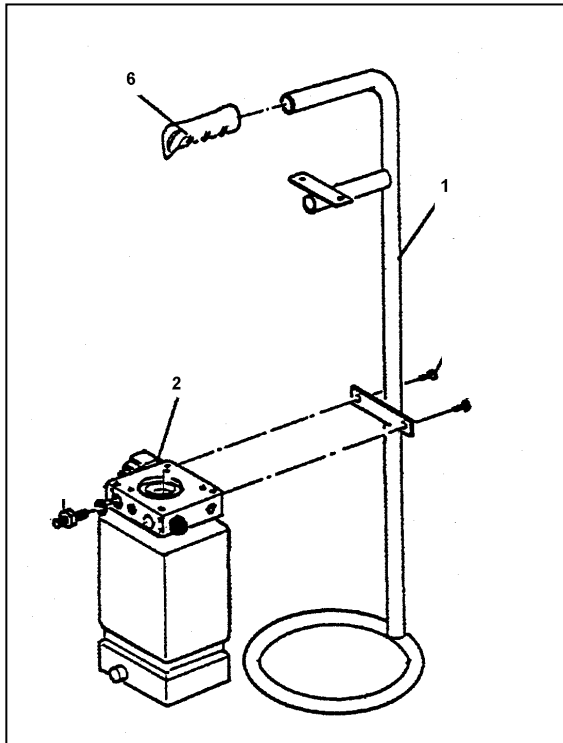


POS	OLD NUMBER ALT NUM.	OLD NUMBER ALT NUM.	BESTEL NUMMER ORDER NUMBER BESTELLUNGSNUM	DESCRIPTION	BESCHREIBUNG	OMSCHRIJVING
1.	20051102	RT2200032	OB913-9711058	CARRIING RUBBER SET(2)	GUMMY SCHEIBE SATZ(2)	DRAAGRUBBER (BLOK) SET(2)OP-/OVERHEEN
2.	20051101(AL2005/A8)	CT2200101/102/103	BA-A8/2006	SET(2) DRIVE ON /OVER RAMPS	SATZ(2)AUFFAHR / ÜBERHINFABRPLATTE	RIJPLATEN



POS	OLD NUMBER ALT NUMMER OUD NUMMER	ORDER NUMMER BESTELLUNGSNUM BESTEL NUMMER	DESCRIPTION	BESCHREIBUNG	OMSCHRIJVING
1.	OS10-185	OB270-001	POWER UNIT FRAME		STANDAARD VOOR HYDR.GRP. HYDR.POMP CPL INCL. TANK
2.	-	OB550-001	PUMP INCL. TANK		HYDR.POMP CPL INCL. TANK
3.	OS40-0148	OB515-1/4-1/4	NIPLES 1/4"		HYDR.NIPPEL 1/4"
4.	OS40-0019	OB592-1/4	COPPER WASHER 1/4"		HYDR.KOPEREN-OPVULRING 1/4"
5.	-	FB4017M10X20	SCREW		BOUW
7.	OS60-0314	OB100-001	ELECTRIC MOTOR		ELEKTROMOTOR 230V 1Ph
10.	-	FSD7985M4X16	SCREW		SCHROEF
11.	OS00-60001	OB301-151107	JUNCTIONBOX		BEDIENINGSKAST (LEEG)
12.	-	OB522-3000	HYDRAULIC HOSE 3000MM		HYDRAULISCHE SLANG 3000MM
13.	PG11W+PG11M	OB332-011 + OB331-011	PG11 CONNECTOR		KABELTULE
14.	OS61-0028	OB322-ZW1,5 (L=870MM)	MOTOR ELECTRIC CABLE		MOTORKABEL
15.	OS61-0030	OB322-ZW1,5 (L=550MM)	ELECTRIC CABLE LOWERING SV		STUURKABEL
16.	OS61-0029	OB322-ZW1,5 (L=2000MM)	POWER CABLE		HOOFDKABEL
17.	OS60-0133	OA131-011	PUSHBUTTON (UP/DOWN) (CMPL)		KEUZE DRUKSCHAKELAAR (OP/NEER) (CMPL.)
18A.	OS60-0375	OA131-001	KEY SELECTOR (CMPL)		SLEUTELSCHAKELAAR (CMPL)
18B.	-	OB363-004	MAIN SWITCH (CMPL)		HOOFDSCHAKELAAR (CMPL)
19A.	OS60-0332	OB345-001	GREEN LAMP		LAMP 220V (BED.KAST)
19B.	-	OA131-006	LED LAMP		LED LAMP
	OS-9100029	OA163	CONTROLUNIT		BEDIENINGSSTAND CPL.230V1Ph

AL-2006 Old model / Alte Modell / Oud model



POS	OLD NUMBER OLD NUMBER ALT NUM.	OLD NUMBER OLD NUMBER ALT NUM.	BESTEL NUMMER ORDER NUMBER BESTELLUNGSNUM	DESCRIPTION	BESCHREIBUNG	OMSCHRIJVING
1.		OS10-185	OB270-001	POWER UNIT FRAME		STANDAARD VOOR HYDR.GRP. HYDR.POMP CPL
2.		OS40-0195	OS40-0195	PUMP		
6.		OS70-0019	OS70-0019	RUBBER HAND GRIP		RUBBER HANDVAT