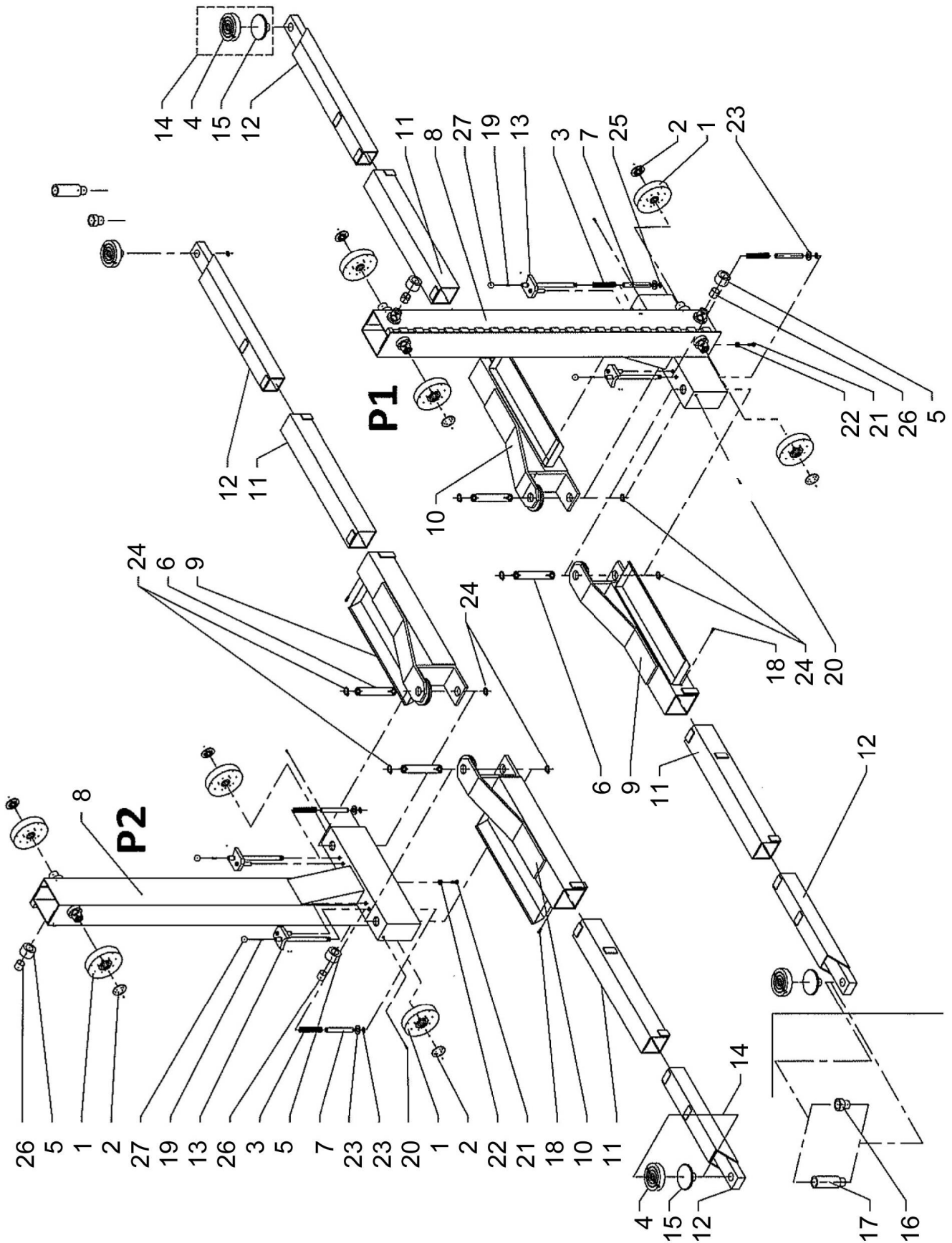
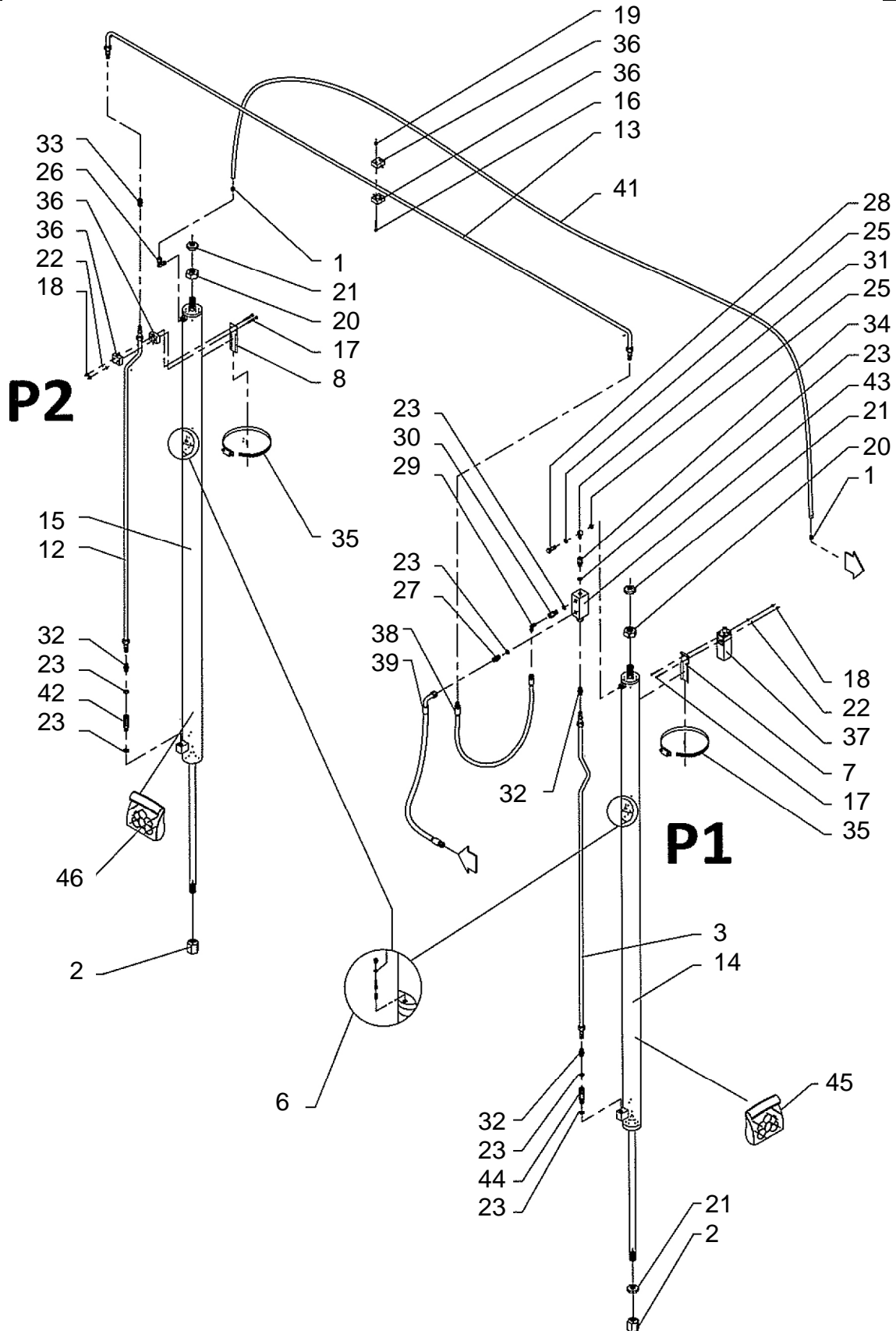


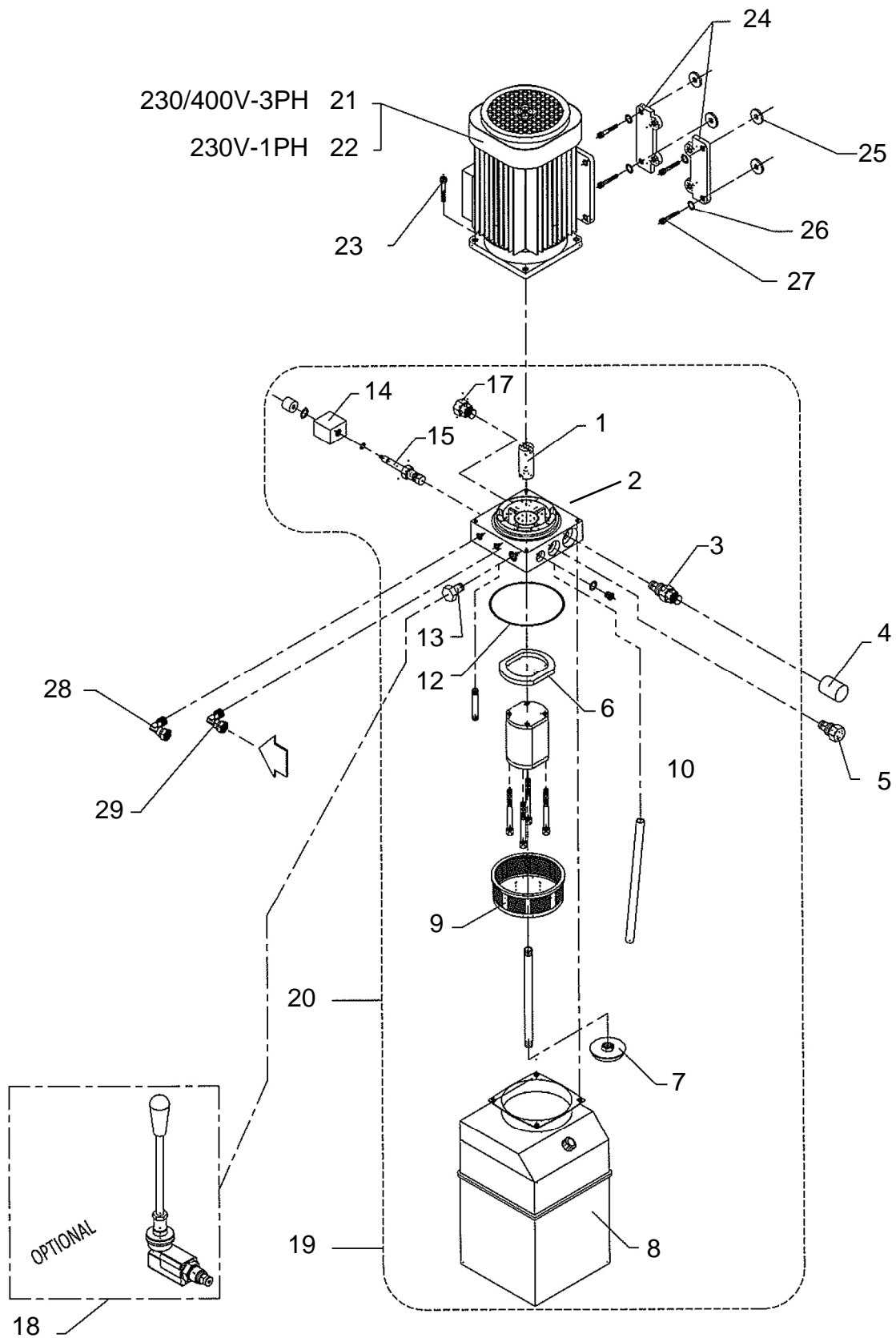
POS	BESTEL NUMMER ORDER NUMMER BESTELLUNGSNUM	DESCRIPTION	BESCHREIBUNG	OMSCHRIJVING
1	OT1200016	BRACKET	BÜGEL	STEUN TBV MAGNEET
2	OT1210015	BRACKET	BÜGEL	STEUN TBV TOP AANSLAG
3	OT1210016	BRACKET	BÜGEL	STEUN TBV TOP MICROSWITCH
4	FND934M12	NUT	MUTTER	MOER M12
5	OT1250800	COVER	ABDECKUNG	AFDEKKAP KOLOM
6	OT1500015	WEDGE	KEIL	BLOKKERING
7	OT1500017	CURVE	BOGEN	HOUDER BLOKKERING
8	OT1500022	CASING	GEHÄUSE	AFDEKKAP P1
9	OT1500023	CASING	GEHÄUSE	AFDEKKAP P2
10	OT1500035	TUBE	ROHR	BUIS TBV TOP AANSLAG
11	OT1500040	BRACKET	BÜGEL	BEUGELHOUDER
14	OT1500100	COLUMN	SÄULE	KOLOM P1 ALH5025TC
	OT1502100	COLUMN	SÄULE	KOLOM P1 ALH5025HTC
15	OT1500150	COLUMN	SÄULE	KOLOM P2 ALH5025TC
	OT1502150	COLUMN	SÄULE	KOLOM P2 ALH5025HTC
17	OT1500950	CROSSBEAM	QUERTRÄGER	BOVENVERBINDING
18	OT1501000	COVER	SCHUTZ	AFDEKPLAAT (LOS) ALH5025TC
	OT1502000	COVER	SCHUTZ	AFDEKPLAAT (LOS) ALH5025H/TC
19	OT1501010	COVER	SCHUTZ	AFDEKPLAAT (VAST) ALH5025TC
	OT1502010	COVER	SCHUTZ	AFDEKPLAAT (VAST) ALH5025H/TC
20	FSD913M5X35	SCREW	SCHRAUBE	STELSCHROEF M5X35 12.9
21	FB4017M4X35	SCREW	SCHRAUBE	ZESKANTBOUT M4X35
22	FB4017M6X16	SCREW	SCHRAUBE	ZESKANTBOUT M6X16
23	FB4017M8X10	SCREW	SCHRAUBE	ZESKANTBOUT M8X10
24	FB4017M8X40	SCREW	SCHRAUBE	ZESKANTBOUT M8X40
25	FB4017M10X16	SCREW	SCHRAUBE	ZESKANTBOUT M10X16
26	FB4017M10X25	SCREW	SCHRAUBE	ZESKANTBOUT M10X25
27	FSD7991M6X16	SCREW	SCHRAUBE	SCHROEF M6X16
29	FB4017M8X12	SCREW	SCHRAUBE	ZESKANTBOUT M8X12
30	FND934M4	NUT	MUTTER	MOER M4
31	FND934M5	NUT	MUTTER	MOER M5
32	FND934M6	NUT	MUTTER	MOER M6
33	FND934M8	NUT	MUTTER	MOER M8
34	FND934M10	NUT	MUTTER	MOER M10
35	FND982M5	NUT	MUTTER	BORGMOER M5
36	FRD9021M4	WASHER	UNTERLAGSCHEIBE	RING M4XØ20
37	FRD9021M6	WASHER	UNTERLAGSCHEIBE	RING M6XØ24
38	FRD9021M8	WASHER	UNTERLAGSCHEIBE	RING M8XØ32
39	FRD9021M10	WASHER	UNTERLAGSCHEIBE	RING M10XØ40
40	FRD6798M6	WASHER	UNTERLAGSCHEIBE	KARTELRING M6
41	FRD6798M8	WASHER	UNTERLAGSCHEIBE	KARTELRING M8
42	FRD6798M10	WASHER	UNTERLAGSCHEIBE	KARTELRING M10
44	OB367-015	LIMIT SWITCH	ENDSCHALTER	EINDSCHAKELAAR (ONDER)
45	OB367-043	LIMIT SWITCH	ENDSCHALTER	EINDSCHAKELAAR (TOP)
47	OT9816003	ELECTROMAGNET	ELECTROMAGNET	ELECTRO MAGNEET



POS	BESTEL NUMMER ORDER NUMMER BESTELLINGSNUM	DESCRIPTION	BESCHREIBUNG	OMSCHRIJVING
1	OT1250001	ROLLER	ROLLE	ROL
2	OT1250002	SPACER	ABSTANDSTÜCK	AFSTANDHOUDER TBV ROL
3	OT1250013	SPRING	FEDER	VEER
4	OB913-D140X26	PAD	RUBBER	DRAAGRUBBER
5	OT1500012	ROLLER	ROLLE	ROL
6	OT1500013	PIN	BOLZEN	PEN
7	OT1500014	PIPE	ROHR	BUIS
8	OT1500200	CARRIAGE	SCHLITTEN	DRAAGTAFEL ALH5025TC
	OT1502200	CARRIAGE	SCHLITTEN	DRAAGTAFEL ALH5025H/TC
9	OT1500320	ARM 1/3	ARM 1/3	DRAAGARM (deel 1/3 kolomzijde)
10	OT1500330	ARM 1/3	ARM 1/3	DRAAGARM (deel 1/3 kolomzijde)
11	OT1500400	ARM 2/3	ARM 2/3	DRAAGARM (deel 2/3 midden)
12	OT1500500	ARM 3/3	ARM 3/3	DRAAGARM (deel 3/3 eind)
13	OT1500600	RACK	ZAHNSTANGE	ARMVERGREDELING
14	OT1500700	PAD Cmpl	AUFLAGE	DRAAGRUBBER+HOUDER
15	OT1500701	PADHOLDER	SUPPORT	HOUDER TBV DRAAGRUBBER
16	OT1500751	SUPPORT	SUPPORT	AFSTANDBUS
17	OT1500761	SUPPORT	SUPPORT	AFSTANDBUS
18	FB4017M10X12	SCREW	SCHRAUBE	ZESKANTBOUT M10X12
19	FSD913M8X25	SCREW	SCHRAUBE	STELSCHROEF M8X25
20	FB4017M10X25	SCREW	SCHRAUBE	ZESKANTBOUT M10X25
21	FB4017M10X30	SCREW	SCHRAUBE	ZESKANTBOUT M10X30
22	FND934M10	NUT	MUTTER	MOER M10
23	FRD9021M16	WASHER	UNTERLAGSCHEIBE	RING M16
24	FRD471M40	SEEGER RING	SEEGERRING	SEEGERRING Ø40
25	FRD471M16	SEEGER RING	SEEGERRING	SEEGERRING Ø16
26	OB412-303430	BUSH	BÜCHSE	GLIJLAGER Ø30X30
27	TMKNOP32M	HANDLE	GRIFF	BOL Ø32XM8

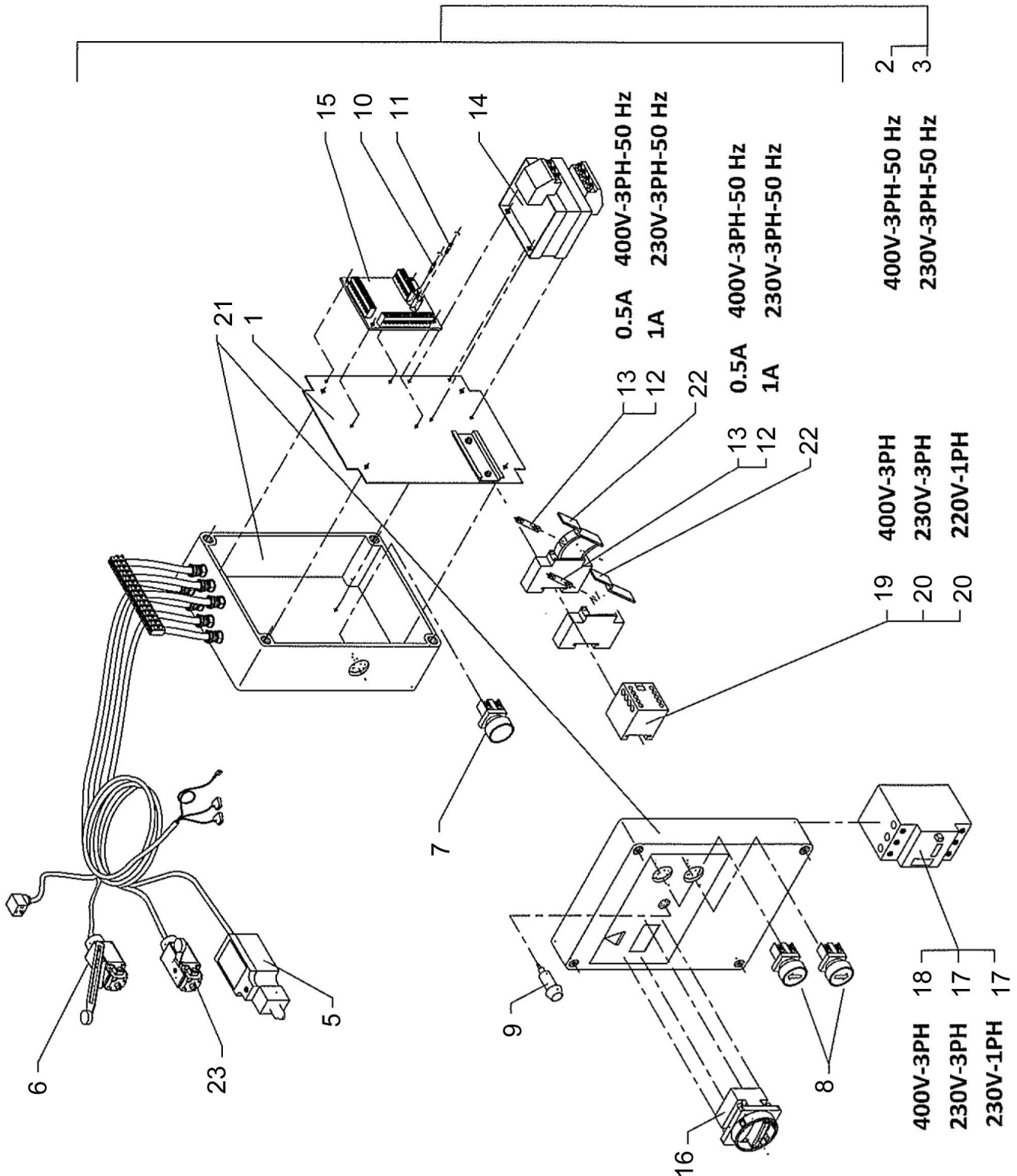




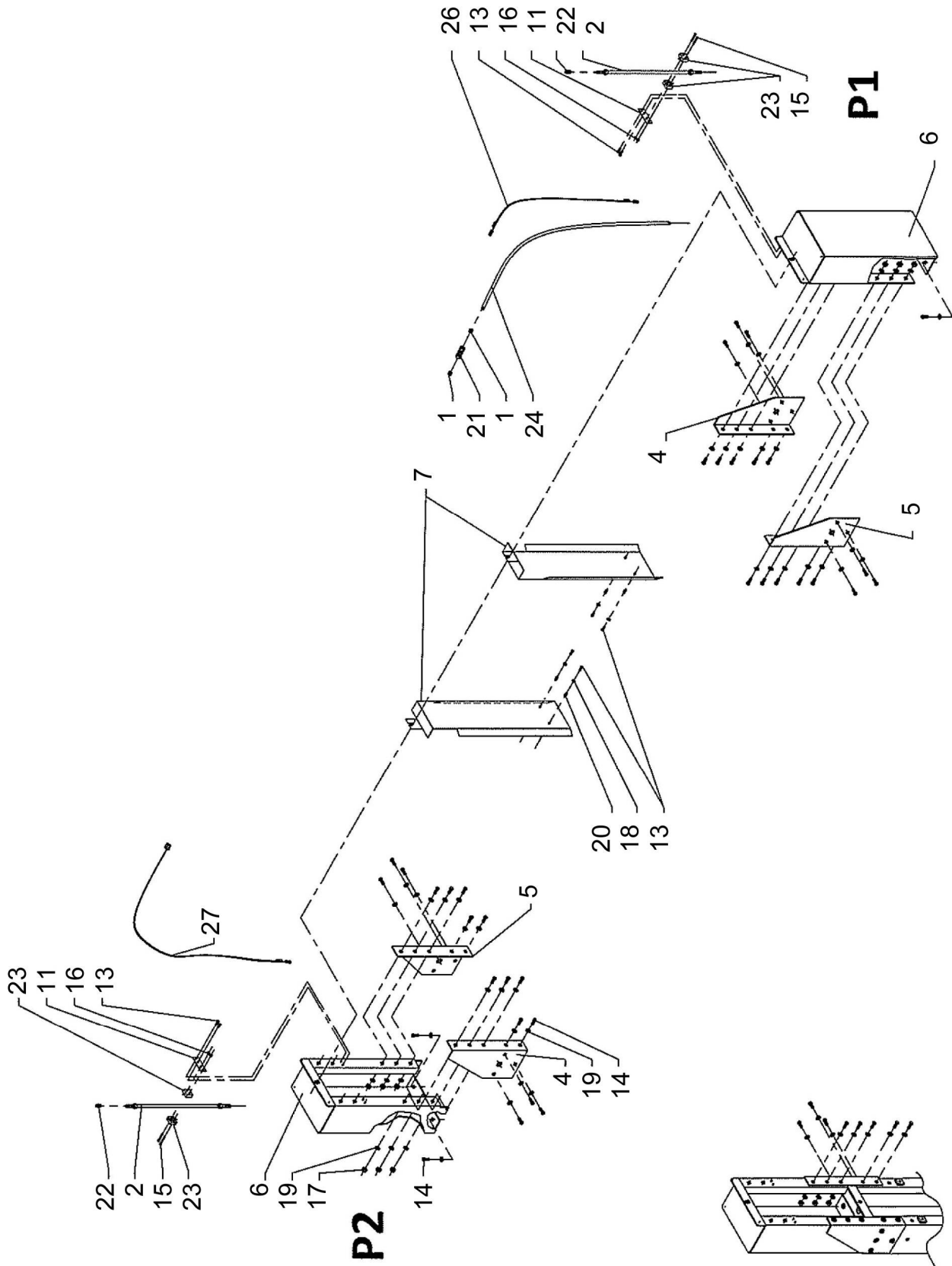


POS	BESTEL NUMMER ORDER NUMMER BESTELLINGSNUM	DESCRIPTION	BESCHREIBUNG	OMSCHRIJVING
1	OT5305004	JOINT	ANSCHLUSS	KOPPELING
2	OT9301020	FLANGE	FLANCHE	FLENS
3	OT9200300	VALVE	VENTIL	OVERDRUKVENTIEL 250 Bar
4	OT9814200	SHEAT	SCHIELD	AFSCHERMING
5	OT9207104	VALVE	VENTIL	VENTIEL
6	OT4300501	GASKET KIT	DICHTUNG	AFDICHTSET
7	OT4730001	FILTER	FILTER	FILTER
8	OT9705001	TANK	TANK	OLIERESERVOIR 8 ltr.
9	OT4730002	FILTER	FILTER	FILTER
10	OT9614001	PUMP KIT	PUMPE KIT	POMPKIT 3,5CC 230V1ph
	OT9614002	PUMP KIT	PUMPE KIT	POMPKIT 4,3CC 400V3ph
12	OT4306425	GASKET	DICHTUNG	O-RING or 6425 (107.32x5.34)
13	OT6005115	CAP	PROPFEN	STOP
14	OB543-24VDC13	COIL	SPULE	SPOEL 24V
15	OB540-003	VALVE	VENTIL	VENTIEL
17	OT9203008	VALVE	VENTIL	VENTIEL
18	OT9673200	MANUAL PUMP	PUMPE	HAND POMP
19	OT9490011	HYDRAULIC UNIT	HYDRAULIKEINHEIT	HYDR.UNIT 230V-1PH
22	OT9501051	MOTOR	MOTOR	MOTOR M90L 4P KW2.2 (HP3) V230/60HZ
20	OT9490010	HYDRAULIC UNIT	HYDRAULIKEINHEIT	HYDR.UNIT 230/400V-3PH
21	OT9501050	MOTOR	MOTOR	MOTOR M90L 4P KW2.6 V230/400/50- 60Hz
23	FB4017M8X30	SCREW	SCHRAUBE	BOUT M8X30
24	OT9502001	BRACKET	BRACKET	STEUN
25	FRD9021M8	WASHER	SCHEIBE	RING
26	FRD125M8	WASHER	SCHEIBE	SLUITRING
27	FB4017M8X40	SCREW	SCHRAUBE	BOUT M8X40
28	OB514-1/4-1/4	NIPPLE	VERBINDUNG	HYDR. ADAPTOR ¼
29	OB572-10-1/4	NIPPLE	VERBINDUNG	HYDR. ADAPTOR ¼





POS	BESTEL NUMMER ORDER NUMMER BESTELLUNGSNUM	DESCRIPTION	BESCHREIBUNG	OMSCHRIJVING
1	OT1330062	PLATE	BLECH	MONTAGEPLAAT
2	OT1503500	SWITCHBOARD	SCHALTTAFEL	MONTAGEPLAAT CMPL. (400V-3PH 50/60 HZ)
3	OT1503501	SWITCHBOARD	SCHALTTAFEL	MONTAGEPLAAT CMPL. (230V-1PH 50/60 HZ)
5	OB367-043	MICRO SWITCH	END SCHALTER	EINDSCHAKELAAR
6	OB367-016	MICRO SWITCH	END SCHALTER	EINDSCHAKELAAR
7	OA080-006	PUSHBUTTON	DRUCKKNOPF	SCHAKELAAR (GEEL)
8	OA080-006	PUSHBUTTON	DRUCKKNOPF	OP / NEER SCHAKELAAR
9	OT9802007N	LAMP	LAMPE	LAMP
10	OB380-1A	FUSE	SICHERUNG	ZEKERING 5x20 1A
11	OB380-12,5A	FUSE	SICHERUNG	ZEKERING 5x20 12,5A
12	OB383-1A	FUSE	SICHERUNG	ZEKERING 10x38 1A
13	OB383-0,5A	FUSE	SICHERUNG	ZEKERING 10x38 0,5A
14	OT9806015	TRANSFORMER	TRAFO	TRANSFORMER 70VA 380V
15	OT9808104	CONTROL BOARD	STEUERKARTE	PRINTPLAAT
16	OT9812040	MAIN SWITCH	MAIN SWITCH	HOOFDSCHAKELAAR
17	OT9821012	OVERLOAD	SCHÜTZ	THERMISCH RELAIS 10-16A (230V-1PH)
18	OT9821014	OVERLOAD	SCHÜTZ	THERMISCH RELAIS 6,3-10A (400V-3PH)
19	OT9823011	RELAY	RELAIS	MAGNEETSCHAKELAAR 4KW 8A 24V AC (400V-3PH)
20	OT9823019	RELAY	RELAIS	MAGNEETSCHAKELAAR 5,5KW 14A 24V AC (230V-1PH)
21	OT9827059	CONNECTION BOX	ABZWEIGSCHACHTEL	BEDIENINGSKAST (leeg)
22	OT9831002	FUSE HOLDER	SICHERUNGSHALTER	HOUDER tbv ZEKERING 10x38
23	OB367-015	MICRO SWITCH	END SCHALTER	EINDSCHAKELAAR



POS	BESTEL NUMMER ORDER NUMMER BESTELLINGSNUM	DESCRIPTION	BESCHREIBUNG	OMSCHRIJVING
1	OB570-10	BUSH	BUCHSE	VERLOOPNIPPEL D7
2	OT1210038	PIPE	ROHR	HYDR. LEIDING (V800)
	OT1240006	PIPE	ROHR	HYDR. LEIDING (V1200)
4	OT1250030	BRACKET	SKETCH PLATE	SCHETSPLAAT (V800)
	OT1250020	BRACKET	SKETCH PLATE	SCHETSPLAAT (V1200)
5	OT1250031	BRACKET	SKETCH PLATE	SCHETSPLAAT (V800)
	OT1250021	BRACKET	SKETCH PLATE	SCHETSPLAAT (V1200)
6	OT1251350	EXTENSION	VERLÄNGERUNG	VERLENGING (V800)
	OT1500800	EXTENSION	VERLÄNGERUNG	VERLENGING (V1200)
7	OT1500018	COVER	GEHÄUSE	AFDEKPLAAT VERLENGING (V800)
	OT1500019	COVER	GEHÄUSE	AFDEKPLAAT VERLENGING (V1200)
11	OT1500030	PLATE	PLATTE	PLAAT
13	FB4017M6X16	SCREW	SCHRAUBE	BOUW M6X16
14	FB4017M10X25	SCREW	SCHRAUBE	BOUW M10X25
15	FB4017M6X30	SCREW	SCHRAUBE	BOUW M6X30
16	FND934M6	NUT	MUTTER	MOER M6
17	FND934M10	NUT	MUTTER	MOER M10
18	FRD125M6	WASHER	SCHEIBE	SLUITRING M6
19	FRD125M10	WASHER	SCHEIBE	SLUITRING M10
20	FND934M6	NUT	MUTTER	MOER M6
21	RA317005	NIPPLE	VERBINDUNG	VERBINDING
22	OT6040010	NIPPLE	VERBINDUNG	VERBINDING 12MM
23	OT6310002	COLLAR	SHELLE	KLEMSTROOK 12MM
24	TILS10X8PA	PIPE	ROHR	LEIDING 10MM
26	VMVL2X0,75	CABLE	KABEL	KABEL
27	VMVL2X0,75	CABLE	KABEL	KABEL